

Test Sheet for A 341

Serial Number:

Parameter	Range/Limit	Result checked
Output frequency of driver	200 MHz \pm 0.03 %	[f ₀].....
Spectral purity	< -60 dBc @ f ₀ \pm 90 MHz
Harmonics @ 4 W	< -40 dBc @ f ₀ \pm 180 MHz
	< -18 dBc @ f _H = 400 MHz
Digital logic input (TTL)	<ul style="list-style-type: none"> • logic $\uparrow\uparrow$ • or open input • logic $\downarrow\downarrow$ 	rf power on <input type="checkbox"/> rf power off <input type="checkbox"/>
RF switch-on/switch-off time	< 8 nsec P _{RF} : 10 ... 90 %	<input type="checkbox"/>
RF on-/off-ratio digital	> 70 dB at any output level
Analogue video input voltage	0 ... +1 volt	50 Ω <input type="checkbox"/>
	• analogue input open	rf power off <input type="checkbox"/>
RF on-/off-ratio analogue	> 70 dB
RF power output level	@ U _S = 24 volt and 50 Ω	max.:
RF power output level	@ U _S = 28 volt and 50 Ω	max.:
Potentiometer preadjusted	@ 1 volt and U _S = 24 volt watts
Potentiometer preadjusted	@ 1 volt and U _S = 28 volt watts
Burn in	active > 30 min	<input type="checkbox"/>
	passive > 2 h	<input type="checkbox"/>

Remarks

Date:

.....

Tester:

.....

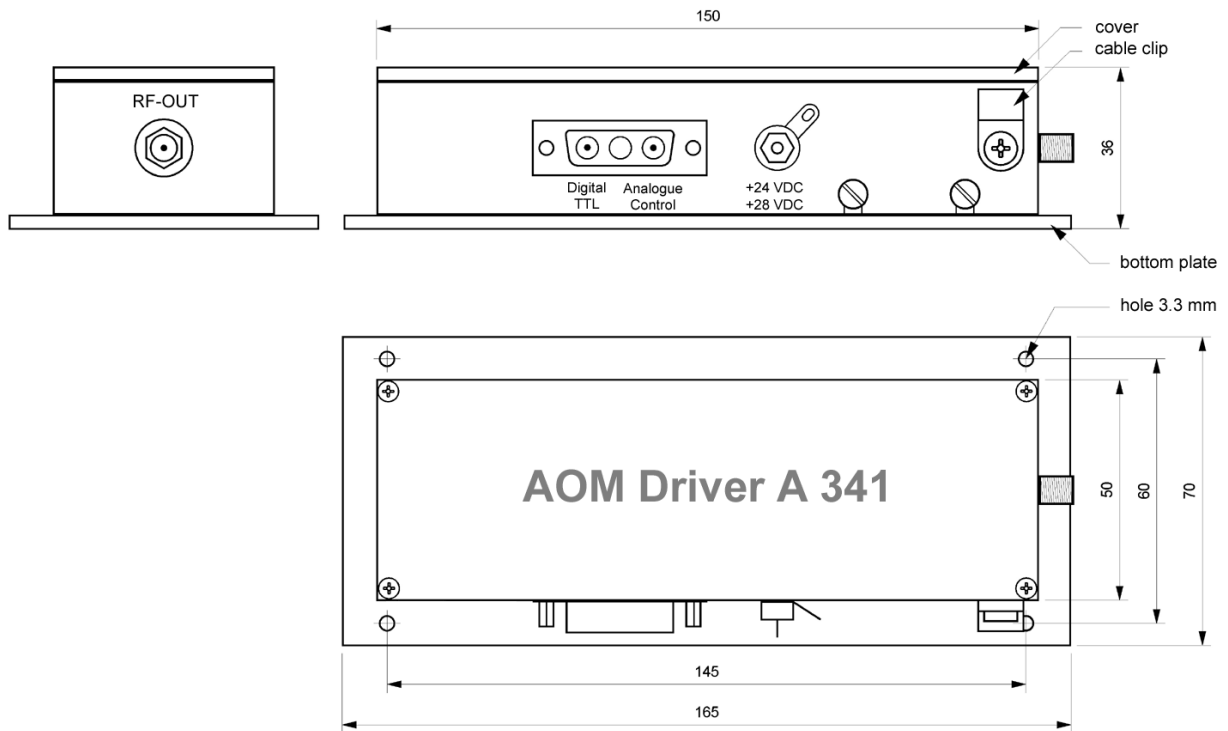
Connectors and Mechanics

RF-Connector

2 pin cable connector for supply voltage output stage • AMP MATE-N-LOCK

SMA female

Pin 1 GND blue
Pin 2 +24 V or +28 V yellow

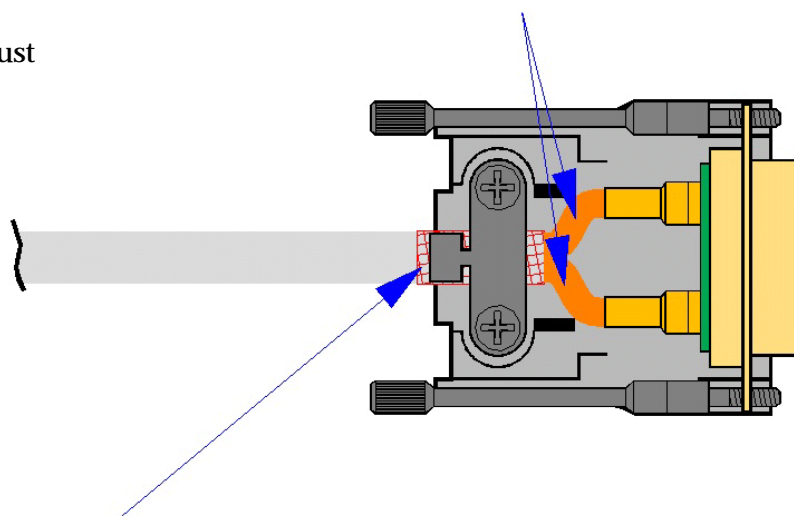


Logic control connector

Cannon • D-Sub 3w3 female

The D-Sub plug casing must be of the conducting type

2 x Coaxial cable RG 316



The outer screening is connected to the +24 V or +28 V ground e.g. chassis connection